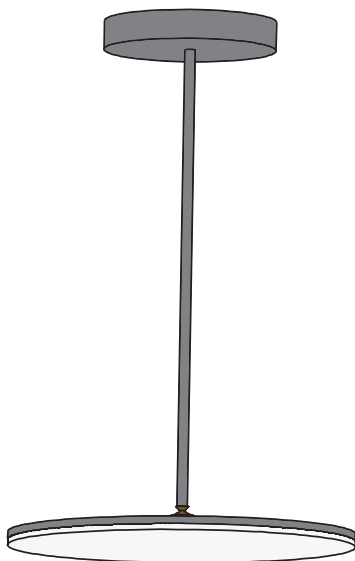


.GIRO PIVOT

USER MANUAL



.GIRO PIVOT

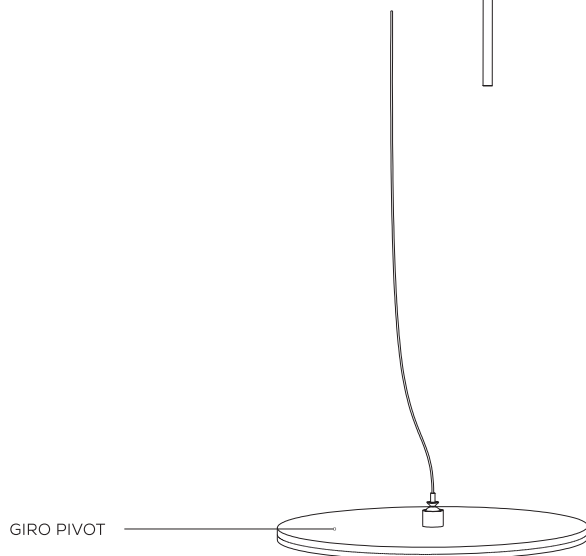
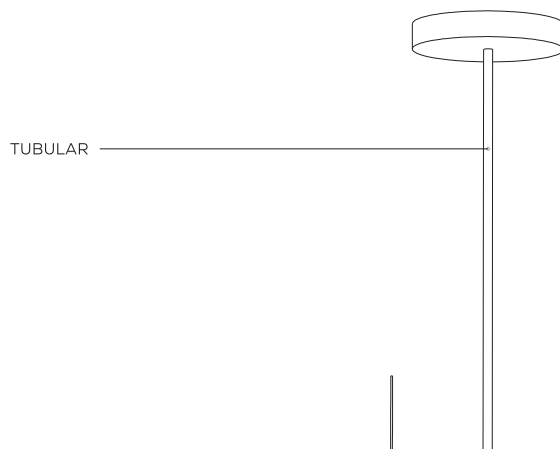
Index

- 04 Components
- 05 Fixing system
- 09 Electrical connection
- 12 **WARNING**
- 13 Cleaning
- 14 Damaged appliances
- 15 Dismantlement

.COMPONENTS

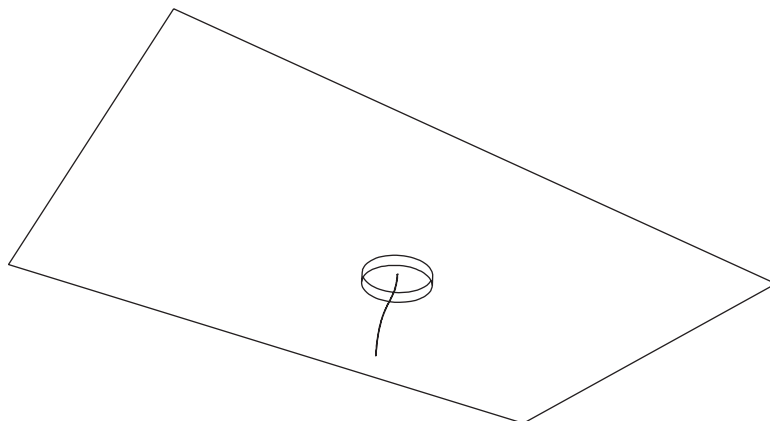
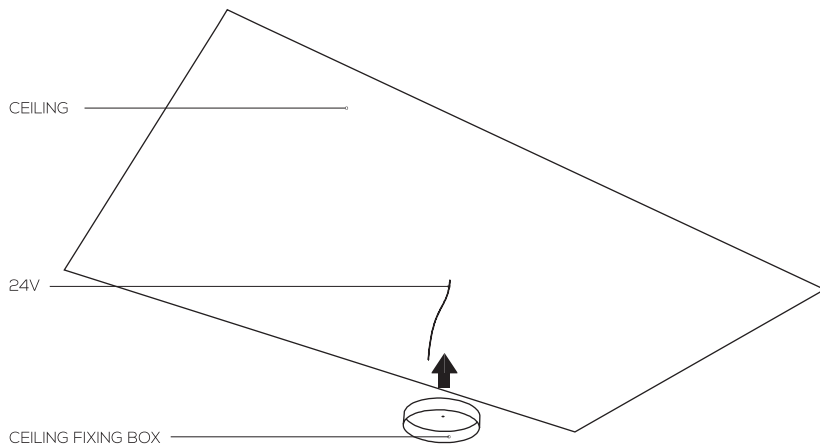
Inside the packing crate you will find:

- FOLD® GIRO PIVOT
- TUBULAR
- CEILING FIXING BOX



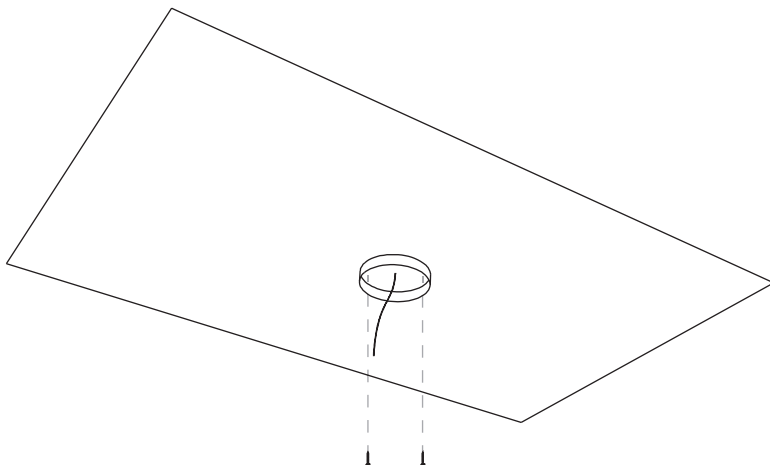
.FIXING SYSTEM

- 1** Bring the CEILING FIXING BOX up to the ceiling.
Pay attention to the 24V cable. Make it pass through the hole on the box.



.FIXING SYSTEM

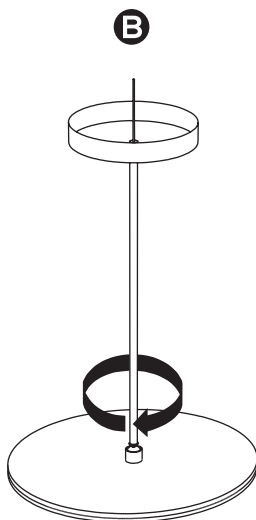
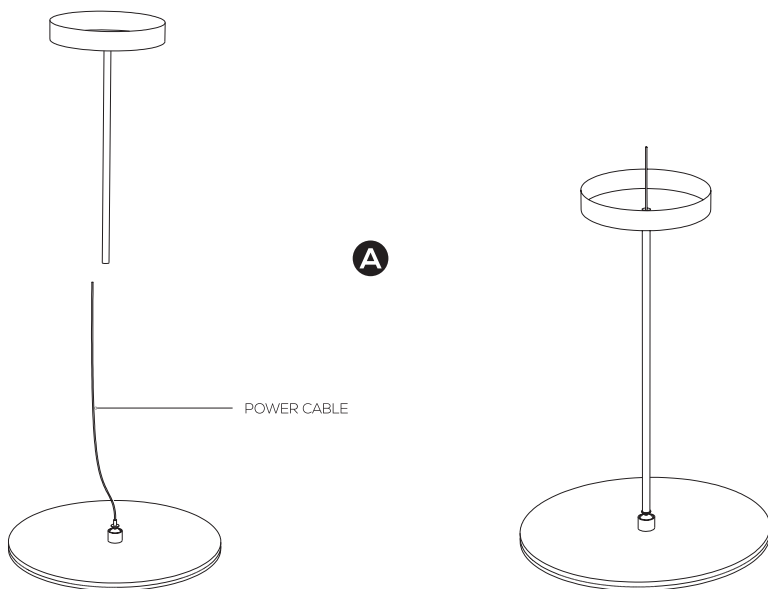
- 2 Fix the FIXING CEILING BOX to the ceiling using suitable screws



The number of screws in the drawing is indicative.

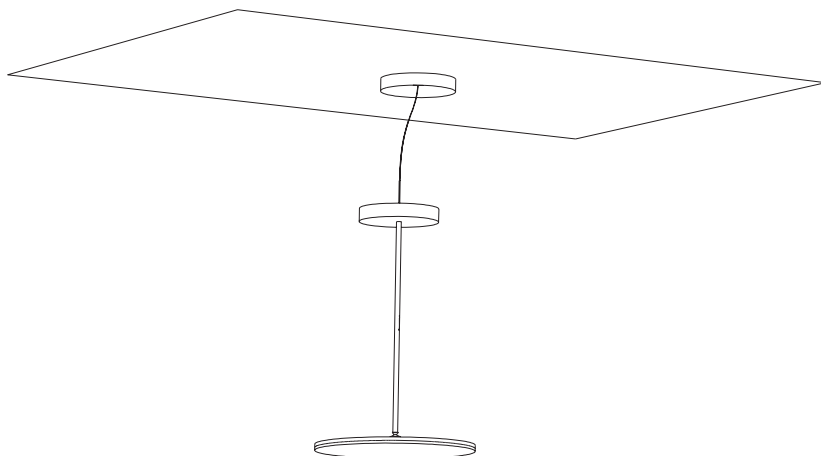
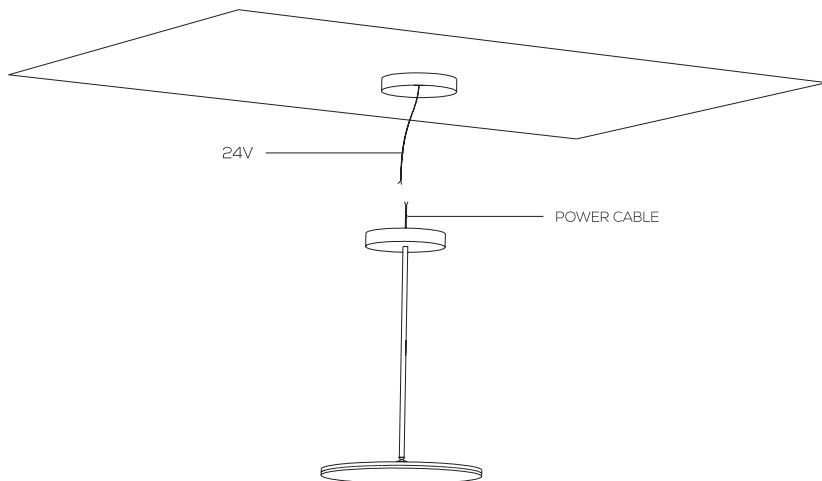
.FIXING SYSTEM

- 3** Make the Power cable pass through the tubular as shown above. (A)
Then screw the tubular to the GIRO PIVOT (B)



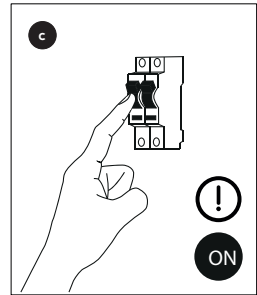
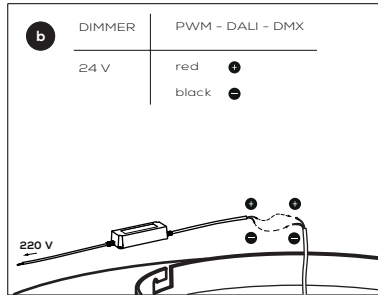
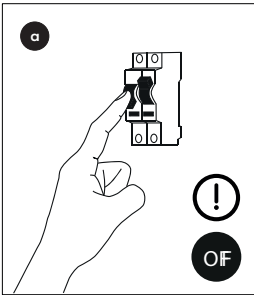
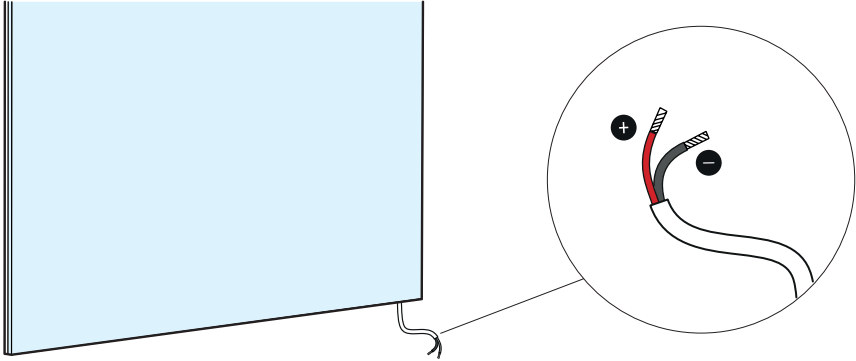
.FIXING SYSTEM

- 4** Connect the power cable to the 24V cable.
FOR MORE INFORMATION SEE NEXT PAGE.



ELECTRICAL CONNECTION

Connect the cables in a suitable and consonant manner. Pay attention not to pull/stress or cut the 24V cables.



Make sure to disconnect the power supply, connect the cable of the LED panel to the driver as shown in step b. Connecting the red cable + of the panel with the red cable + of the driver and the black cable - of the panel to the black cable - of the driver. Subsequently connect the driver to the electrical system with the 220 V cable and power the system.



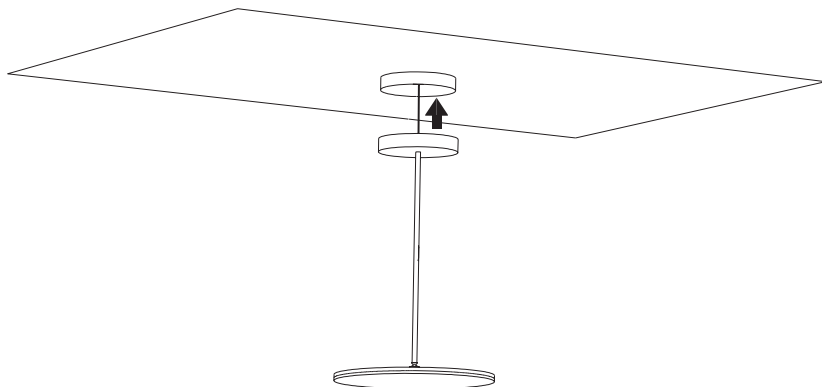
Use class II transformers with adequate absorption with regards to the consumption of the FOLIO® panel, with an exit current of 24V and with SELV exits **EN 61347-2-13** compliant. It is recommended to connect maximum 4/5 Folio panels to one driver.

DIMMING

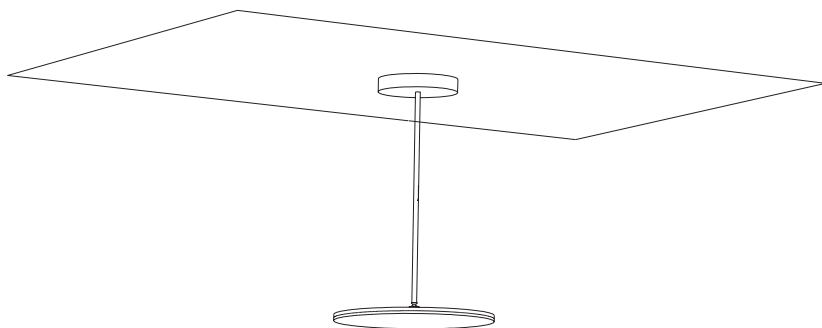
Dimmable:
PWM - DALI - DMX

.FIXING SYSTEM

- 5** Pull the exceeding cable up into the ceiling hole

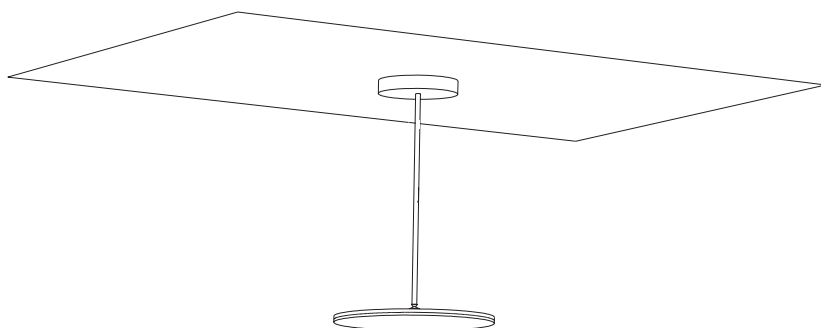
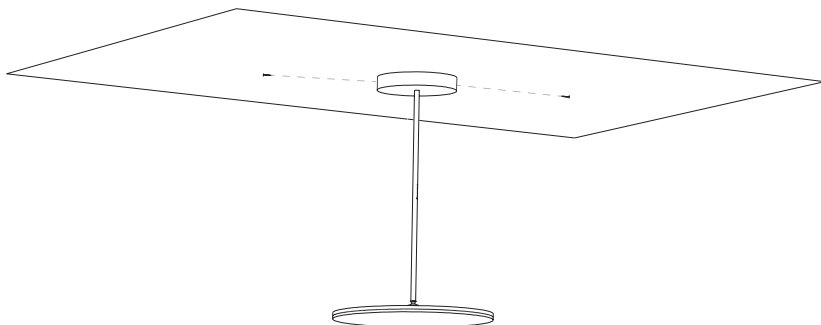


- 6** Bring the GIRO PIVOT (with tubular already fixed) up to the ceiling.



.FIXING SYSTEM

- 7** Fix the GIRO PIVOT with tubular to the CEILING FIXING BOX on the ceiling.
Use suitable screws.



.WARNING

Consult the company **Cifralluminio s.r.l.** before intervening in any way on the FOLIO® panels. For any doubts on the functioning of the device or on its maintenance consult **Cifralluminio s.r.l.**

- Do not open or tamper with the FOLIO® panel.
- Do not flex/bend the panel.
- Do not unscrew/tamper with any screw on the panel.
- Do not spray/pour directly on the panel any kind of liquid/detergent.
- Keep in a dry place.
- Do not store at temperatures above 25°C.
- Keep away from heat sources.
- Do not expose to direct sunlight.
- Keep away from combustible substances.
- Avoid contact with vapors, fumes, dust, gas and liquids.
- Avoid accumulation of electrostatic charges.
- Avoid hitting or friction.
- For cleaning use the notes/instructions/products indicated in the manual.
- Before cleaning, the lighting fixture must be switched off.
- The FOLIO® panel must be installed in a place accessible for maintenance.
- Do not connect the FOLIO® panel directly to the mains. The FOLIO® panel must always be connected to a driver, which will be successively connected to the mains.
- Do not hit, pull or damage the electrical and panel's cables.

CLEANING

General indications for proper care of FOLIO® products:

- To enable an efficient performance of FOLIO® panel we recommended regular cleaning.
- The parts influencing the performance of the light (such as white acrylic sheets, marbles or glass) should be cleaned following the instructions below.
- The cleaning of EXTERNAL parts and SURFACES which are part of the FOLIO® panel can be executed in according to the following table:

COMPONENTS	TOOLS	CLEANING SPECIFICATIONS
Aluminium or iron parts	Damp, soft, non-abrasive cloth and dry, soft non-abrasive cloth	Dampen a soft cloth using warm water with little chlorine-free liquid soap and clean the product a second time using a clean dry soft cloth
Transparent plastic spotlight	Dry, soft non-abrasive cloth	Avoid possible static before cleaning. While cleaning apply light pressure to the parts. NOTICE : do not use any type of cleaning agents, neither liquid nor solid
Glass, marble, onyx spotlight	Slightly damp, soft, non-abrasive cloth	Avoid possible static before cleaning. While cleaning apply light pressure to the parts. NOTICE : use cleaning agents suitable for glass, marble or onyx
Opal plastic spotlight	Slightly damp, soft, non-abrasive cloth	Avoid possible static before cleaning. While cleaning apply light pressure to the parts. NOTICE : use only diluted alcohol-free cleaning agents suitable for plastic

NOTICE: DO NOT SPRAY OR POUR DIRECTLY ON THE PANEL ANY TYPE OF CLEANING AGENT BUT DISTRIBUTE THE CLEANING AGENTS (LIQUID OR SOLID) ON A SOFT AND NON-ABRASIVE CLOTH. IT IS POSSIBLE TO CLEAN THE PANEL BY USING JUST A DRY, SOFT AND NON-ABRASIVE CLOTH.

Should any doubt concerning the cleaning of the FOLIO® panel arise, please contact us by email at the following address: info@foliopanel.it

SAFETY NOTICE

- Before cleaning, the lighting fixture must be switched off.
- All the electrical connections must be disconnected.

.DAMAGED APPLIANCES

Do not install or connect these appliances if one or more parts appear damaged. Non-compliance with these instructions may cause injuries or damage the appliances and other goods.

Installation of this appliance must be entrusted exclusively to qualified personnel that is fully aware of all relevant instructions.

Before working on the appliance, disconnect the power supply from the mains.

Before proceeding with visual inspections, trials or maintenance operations on this appliance, disconnect all current and voltage sources.

Proper functioning of this appliance depends on the correct operations of handling, installation and use.

Non-compliance with the fundamental installation requirements can cause injuries to people and damage electrical appliances and other goods.

Verify that the supply voltage is compatible with the voltage and current necessary for the regular functioning of the appliance you are about to install: the primary factor to consider is the data on the FOLD® LED panels' label.

.DISMANTLEMENT

Dismantlement of the appliance must be commissioned to qualified internal or external personnel.

Dismantlement operations must be carried out in accordance with current regulations, considering that some of the materials used are not recyclable and some others may be harmful.

In accordance with Italian LEGISLATIVE DECREE 14 March 2014, no. 49 (in the field of electric and electronic appliances) we inform you that the appliance this instruction manual refers to cannot be disposed of as urban waste but must be destined to waste sorting facilities.

The symbol:



pon the data label indicates the product must be recycled once dismantled.

Non-compliance with the law will be heavily sanctioned with fines.