



REF.
DATE

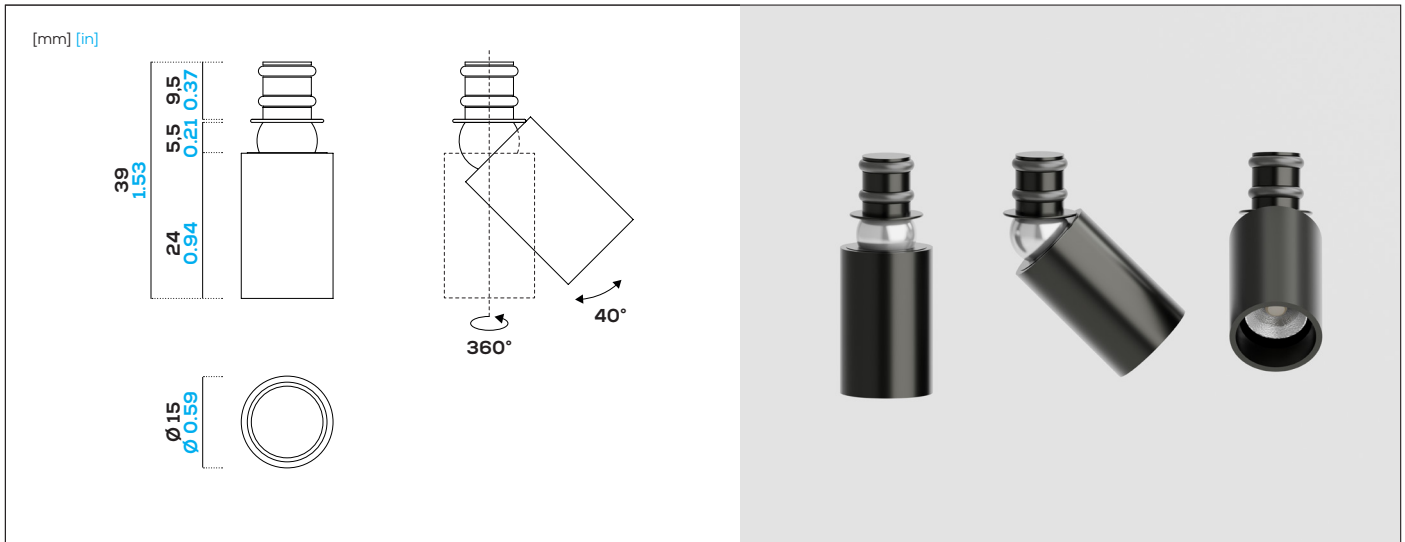
For each item select the request option

1

THIN.15_adj_TR

FOLIO®

| | | | | | | |
|--------------|----------|--------------------------------|---------------------------------|--|--|--|
| Product type | Quantity | <input type="checkbox"/> 1 CCT | <input type="checkbox"/> 2 Lens | <input type="checkbox"/> 3 Dimmerability | <input type="checkbox"/> 4 Aluminum finish | <input type="checkbox"/> 5 Accessories |
| THIN.15 | | | | | | |



GENERAL SPECS.

| | |
|-----------|---------------------------------------|
| Weight: | 0,01 kg |
| Movement: | Adjustable: 360° rotation, 0-40° tilt |
| IP: | 20 |

The Spot.Mate system is a highly versatile range of spotlights, designed to meet the most diverse architectural and lighting needs. Available in four sizes, the spotlights can be installed on various surfaces, offering multiple features and movement possibilities. Each product is entirely customizable in various aspects to perfectly suit any specific project.



LIGHT SOURCE

| | |
|--------------------------|--|
| LED type: | Nichia |
| LED Amperage: | 500 mA |
| LED Duration: | 50 000 h. |
| Power: | 1.5 W |
| Delivered Lumen: | 145 lm |
| Efficacy: | 96.6 lm/W |
| Candela: | |
| CRI: | > 90 |
| R9: | > 80 |
| TM30: | Rf: 91 Rg: 100 |
| SDCM: | 2 |
| Color Temperature (CCT): | <input type="checkbox"/> 2700K <input type="checkbox"/> 3000K <input type="checkbox"/> 3500K <input type="checkbox"/> 4000K <input type="checkbox"/> on request: 2000K, 2200K, 2500K, 5000K |

OPTICS

| | |
|------------------|--|
| Optic Type: | lens |
| Beam Angle (BA°) | <input type="checkbox"/> 15° <input type="checkbox"/> 25° <input type="checkbox"/> 35° <input type="checkbox"/> costum on request |

ELECTRICAL

| | |
|-----------------|--|
| Voltage: | 24V DC (Constant Voltage) |
| Class: | Class 3 24V |
| Driver: | DC/DC 24 V |
| Output current: | 500 mA |
| Dimmerability: | <input type="checkbox"/> 0-10 V <input type="checkbox"/> 1-10 V <input type="checkbox"/> DALI <input type="checkbox"/> DMX <input type="checkbox"/> Bluetooth <input type="checkbox"/> PUSH |

Images / 3D / sections and the relative details shown in the following pages are generic and indicative. The number and position of the fixing points and fasteners may change during the production phase. The type, quantity and position of the Folio panels' power cables are indicative.



REF.
DATE

For each item select the request option

2

THIN.15_adj_TR



| | | | | | | |
|--------------|----------|-------|--------|-----------------|-------------------|---------------|
| Product type | Quantity | 1 CCT | 2 Lens | 3 Dimmerability | 4 Aluminum finish | 5 Accessories |
| THIN.15 | | | | | | |

ALUMINIUM FINISHES

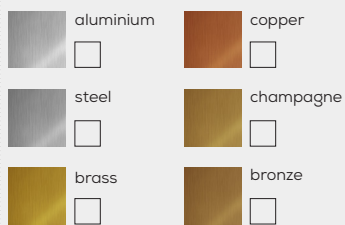
4

RAL/NCS/Pantone:

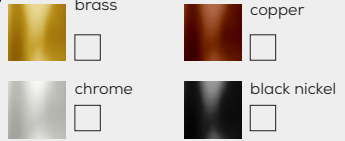
Polished finish:



Brushed finish:



Galvanic finish:



ACCESSORIES

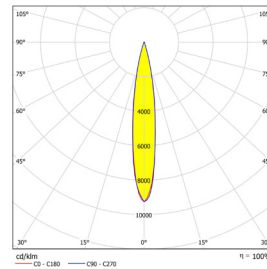
5

Honeycomb Snoot Spring Kit

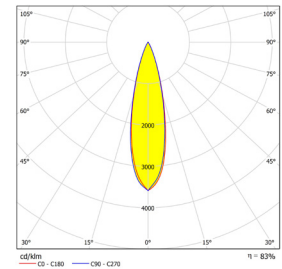


LENS INFO

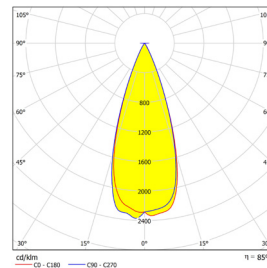
Beam Angle (BA°): 15°



Beam Angle (BA°): 25°

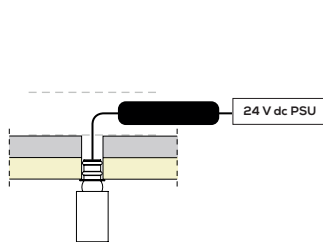


Beam Angle (BA°): 35°



APPLICATIONS

Folio Opal



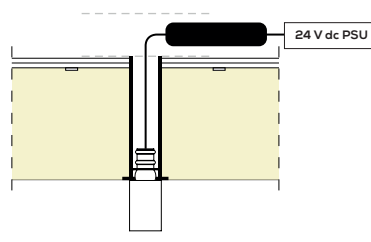
Cut out: 9.5 mm / 3.74 in



Clear volume: 20 mm / 7.87 in



Folio Zero



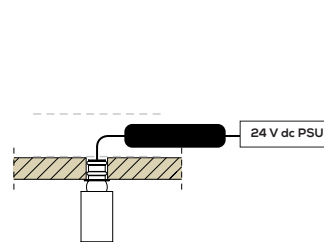
Cut out: 9.5 mm / 3.74 in



Clear volume: 20 mm / 7.87 in



Forniture



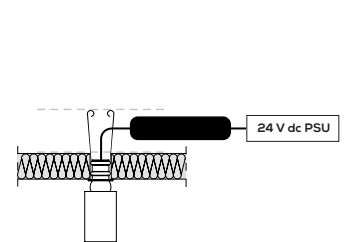
Cut out: 9.5 mm / 3.74 in



Clear volume: 20 mm / 7.87 in



Drywall



Cut out: 9.5 mm / 3.74 in



Clear volume: 20 mm / 7.87 in



Images / 3D / sections and the relative details shown in the following pages are generic and indicative. The number and position of the fixing points and fasteners may change during the production phase. The type, quantity and position of the Folio panels' power cables are indicative.



REF.
DATE

For each item select the request option

3

THIN.15_adj_TR

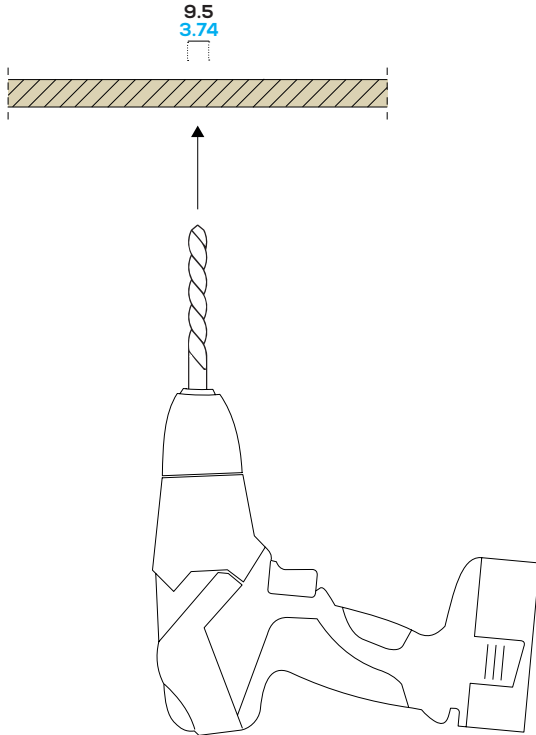


| Product type | Quantity | 1 CCT | 2 Lens | 3 Dimmerability | 4 Aluminum finish | 5 Accessories |
|--------------|----------|-------|--------|-----------------|-------------------|---------------|
| THIN.15 | | | | | | |

MOUNTING INSTRUCTION

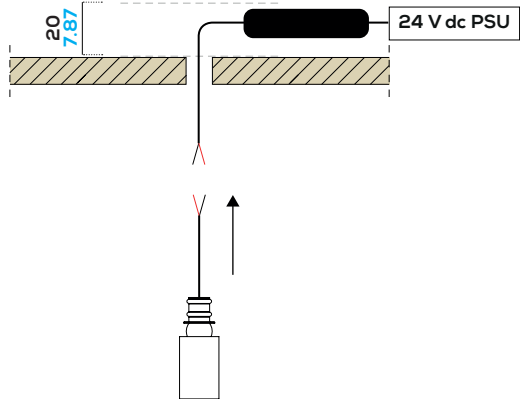
STEP 1: Hole preparation

Folio Opal: Pre-drilled (no action required).
Drywall / Furniture: Drill $\varnothing 9.5$ mm hole.



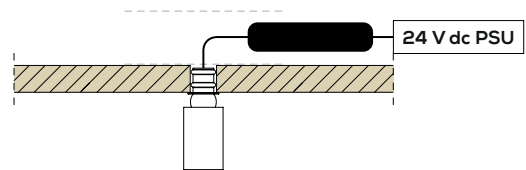
STEP 2: Cable connection

Pull up the spot with the cable and connect it to the **24V DC** cable



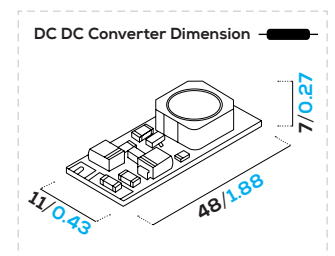
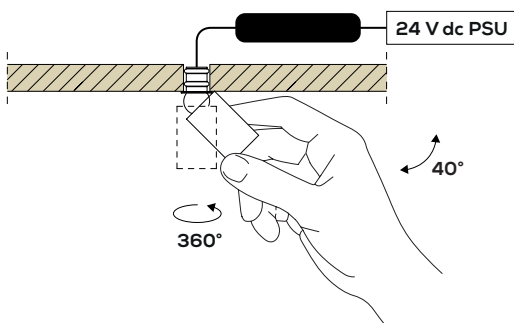
STEP 3: Spot Insertion

Push the spot upward into the hole.
The O-Ring will prevent the spotlight from falling.



FEATURES

360° rotation, 0-40° tilt



Images / 3D / sections and the relative details shown in the following pages are generic and indicative. The number and position of the fixing points and fasteners may change during the production phase. The type, quantity and position of the Folio panels' power cables are indicative.